



GeoManifold® Data Sheet

GHP Systems, Inc.
1000 32nd Ave
Brookings, SD 57006

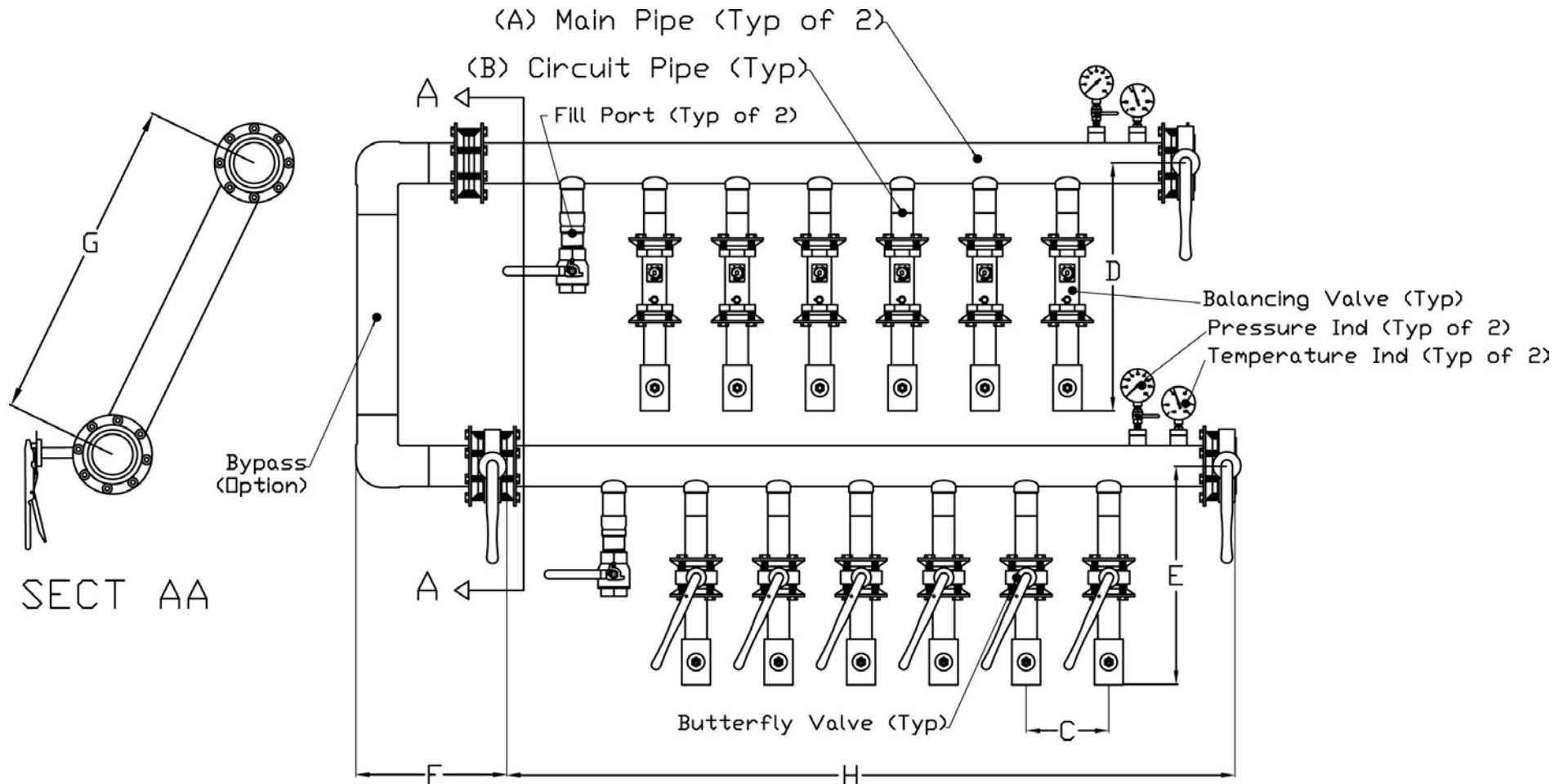
(605) 697-7869 tel
(605) 697-9118 fax
888-447-7757 toll-free
www.ghpsystems.com

Specifications

MAIN PIPE SIZE (IPS)	CIRCUIT PIPE SIZE (IPS)	CIRCUIT SPACING	CIRCUIT HEIGHT (Balancing Valve)	CIRCUIT HEIGHT (Butterfly Valve)	BYPASS LENGTH	BYPASS WIDTH	LENGTH OF MANIFOLD—DIM H										
							NUMBER OF CIRCUITS ON MANIFOLD										
LABEL A	LABEL B	DIM C	DIM D	DIM E	DIM F	DIM G	2	3	4	5	6	7	8	9	10	11	12
2"	1.5"	9"	32"	21"	18"	18"	2' - 0"	2' - 9"	3' - 6"	4' - 3"	5' - 0"	5' - 9"	6' - 6"	7' - 3"	8' - 0"	8' - 9"	9' - 6"
	2"	9"	32"	21"	18"	18"	2' - 0"	2' - 9"	3' - 6"	4' - 3"	5' - 0"	5' - 9"	6' - 6"	7' - 3"	8' - 0"	8' - 9"	9' - 6"
3"	1.5"	9"	33"	22"	18"	18"	2' - 0"	2' - 9"	3' - 6"	4' - 3"	5' - 0"	5' - 9"	6' - 6"	7' - 3"	8' - 0"	8' - 9"	9' - 6"
	2"	9"	33"	22"	18"	18"	2' - 0"	2' - 9"	3' - 6"	4' - 3"	5' - 0"	5' - 9"	6' - 6"	7' - 3"	8' - 0"	8' - 9"	9' - 6"
	3"	9"	32"	25"	18"	18"	2' - 0"	2' - 9"	3' - 6"	4' - 3"	5' - 0"	5' - 9"	6' - 6"	7' - 3"	8' - 0"	8' - 9"	9' - 6"
4"	1.5"	9"	33"	22"	20"	18"	2' - 0"	2' - 9"	3' - 6"	4' - 3"	5' - 0"	5' - 9"	6' - 6"	7' - 3"	8' - 0"	8' - 9"	9' - 6"
	2"	9"	33"	22"	20"	18"	2' - 0"	2' - 9"	3' - 6"	4' - 3"	5' - 0"	5' - 9"	6' - 6"	7' - 3"	8' - 0"	8' - 9"	9' - 6"
	3"	9"	32"	25"	20"	18"	2' - 0"	2' - 9"	3' - 6"	4' - 3"	5' - 0"	5' - 9"	6' - 6"	7' - 3"	8' - 0"	8' - 9"	9' - 6"
	4"	12"	34"	26"	20"	18"	2' - 0"	3' - 0"	4' - 0"	5' - 0"	6' - 0"	7' - 0"	8' - 0"	9' - 0"	10' - 0"	11' - 0"	12' - 0"
6"	1.5"	9"	34"	23"	24"	24"	2' - 1"	2' - 10"	3' - 7"	4' - 4"	5' - 1"	5' - 10"	6' - 7"	7' - 4"	8' - 1"	8' - 10"	9' - 7"
	2"	9"	34"	23"	24"	24"	2' - 1"	2' - 10"	3' - 7"	4' - 4"	5' - 1"	5' - 10"	6' - 7"	7' - 4"	8' - 1"	8' - 10"	9' - 7"
	3"	9"	33"	26"	24"	24"	2' - 1"	2' - 10"	3' - 7"	4' - 4"	5' - 1"	5' - 10"	6' - 7"	7' - 4"	8' - 1"	8' - 10"	9' - 7"
	4"	12"	35"	27"	24"	24"	2' - 1"	3' - 1"	4' - 1"	5' - 1"	6' - 1"	7' - 1"	8' - 1"	9' - 1"	10' - 1"	11' - 1"	12' - 1"
8"	1.5"	9"	35"	24"	26"	24"	2' - 1"	2' - 10"	3' - 7"	4' - 4"	5' - 1"	5' - 10"	6' - 7"	7' - 4"	8' - 1"	8' - 10"	9' - 7"
	2"	9"	35"	24"	26"	24"	2' - 1"	2' - 10"	3' - 7"	4' - 4"	5' - 1"	5' - 10"	6' - 7"	7' - 4"	8' - 1"	8' - 10"	9' - 7"
	3"	9"	34"	27"	26"	24"	2' - 1"	2' - 10"	3' - 7"	4' - 4"	5' - 1"	5' - 10"	6' - 7"	7' - 4"	8' - 1"	8' - 10"	9' - 7"
	4"	12"	36"	28"	26"	24"	2' - 1"	3' - 1"	4' - 1"	5' - 1"	6' - 1"	7' - 1"	8' - 1"	9' - 1"	10' - 1"	11' - 1"	12' - 1"
10"	1.5"	9"	36"	25"	26"	26"	2' - 2"	2' - 11"	3' - 8"	4' - 5"	5' - 2"	5' - 11"	6' - 8"	7' - 5"	8' - 2"	8' - 11"	9' - 8"
	2"	9"	36"	25"	26"	26"	2' - 2"	2' - 11"	3' - 8"	4' - 5"	5' - 2"	5' - 11"	6' - 8"	7' - 5"	8' - 2"	8' - 11"	9' - 8"
	3"	9"	35"	28"	26"	26"	2' - 2"	2' - 11"	3' - 8"	4' - 5"	5' - 2"	5' - 11"	6' - 8"	7' - 5"	8' - 2"	8' - 11"	9' - 8"
	4"	12"	37"	29"	26"	26"	2' - 2"	3' - 2"	4' - 2"	5' - 2"	6' - 2"	7' - 2"	8' - 2"	9' - 2"	10' - 2"	11' - 2"	12' - 2"
12"	1.5"	9"	37"	26"	28"	28"	2' - 2"	2' - 11"	3' - 8"	4' - 5"	5' - 2"	5' - 11"	6' - 8"	7' - 5"	8' - 2"	8' - 11"	9' - 8"
	2"	9"	37"	26"	28"	28"	2' - 2"	2' - 11"	3' - 8"	4' - 5"	5' - 2"	5' - 11"	6' - 8"	7' - 5"	8' - 2"	8' - 11"	9' - 8"
	3"	9"	36"	29"	28"	28"	2' - 2"	2' - 11"	3' - 8"	4' - 5"	5' - 2"	5' - 11"	6' - 8"	7' - 5"	8' - 2"	8' - 11"	9' - 8"
	4"	12"	38"	30"	28"	28"	2' - 2"	3' - 2"	4' - 2"	5' - 2"	6' - 2"	7' - 2"	8' - 2"	9' - 2"	10' - 2"	11' - 2"	12' - 2"

NOTE: Dimensions are approximate -- actual dimension lengths may vary due to different fittings, components and/or fusion methods used.

GeoManifold® Data Sheet



Notice: Information contained in this document is subject to change without notice. This document reports accurate and reliable information to the best of our knowledge but our suggestions and recommendations cannot be guaranteed because the conditions of use are beyond our control. The user of such information assumes all risk connected with the use therefore. GHP Systems, Inc. assumes no responsibility for the use of information presented herein and hereby disclaims all liability in regard to such use. GHP Systems, Inc. reserves the right to upgrade the design/specifications of the GeoManifold® without notice.