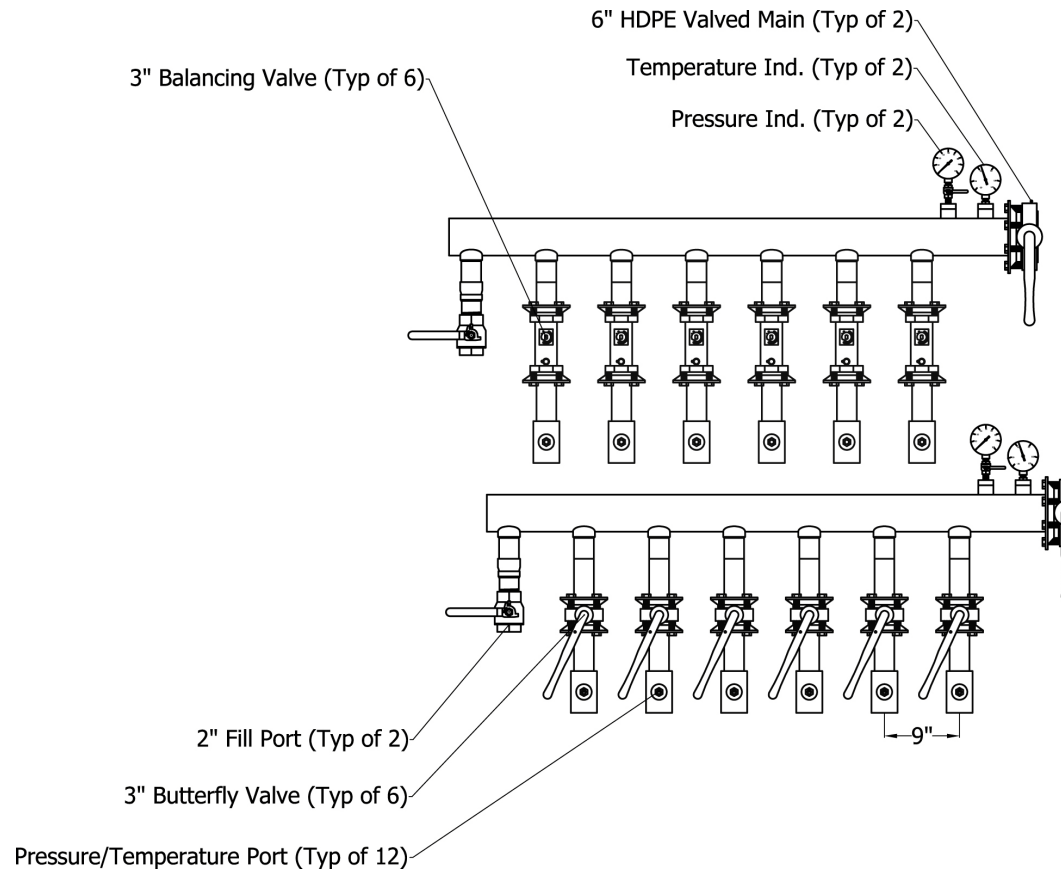


GeoManifold[®] Example Detail Drawing (Standard)

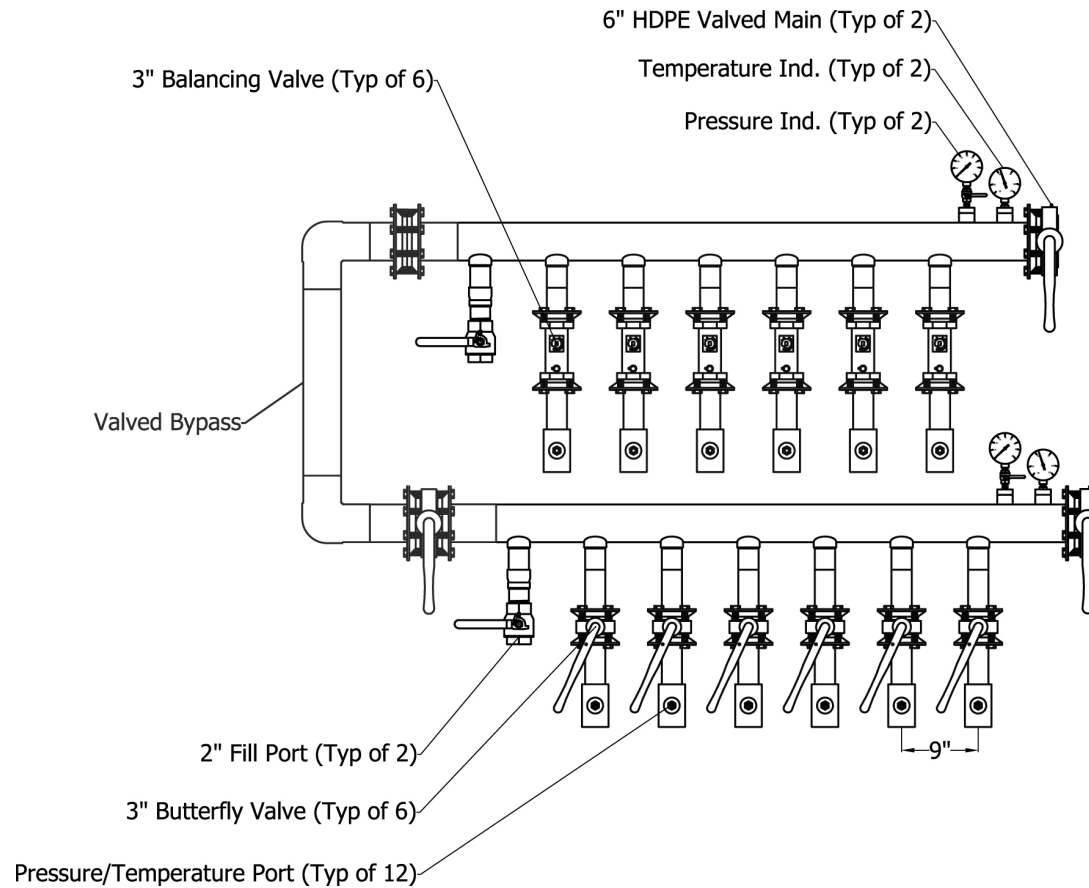


HDPE MANIFOLD

MODEL NO. GM06N06S3BPT2F0

Notice: Information contained in this document is subject to change without notice. This document reports accurate and reliable information to the best of our knowledge but our suggestions and recommendations cannot be guaranteed because the conditions of use are beyond our control. The user of such information assumes all risk connected with the use therefore. GHP Systems, Inc. assumes no responsibility for the use of information presented herein and hereby disclaims all liability in regard to such use. GHP Systems, Inc. reserves the right to upgrade the design/specifications of the GeoManifold[®] without notice.

GeoManifold® Example Detail Drawing (Bypass Option)



HDPE MANIFOLD

MODEL NO. GM06B06S3BPT2F0

Notice: Information contained in this document is subject to change without notice. This document reports accurate and reliable information to the best of our knowledge but our suggestions and recommendations cannot be guaranteed because the conditions of use are beyond our control. The user of such information assumes all risk connected with the use therefore. GHP Systems, Inc. assumes no responsibility for the use of information presented herein and hereby disclaims all liability in regard to such use. GHP Systems, Inc. reserves the right to upgrade the design/specifications of the GeoManifold® without notice.